

MOBICRANE MC-PV 240V

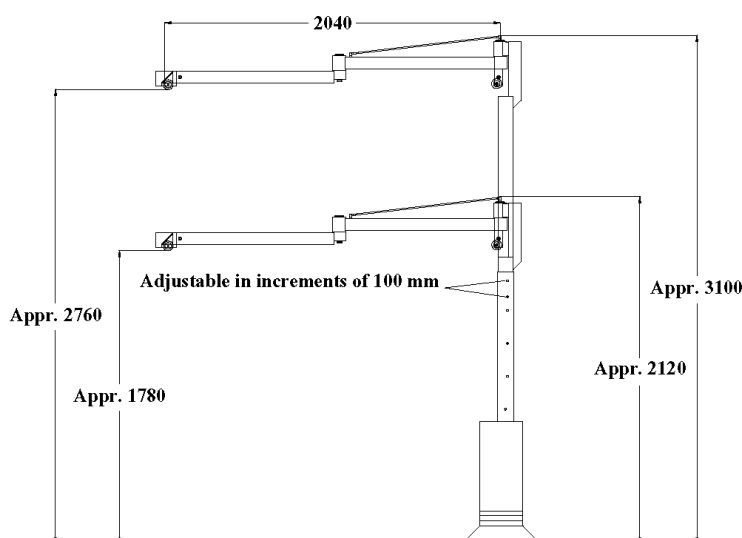
Technical data

Maximum load with grippers up to 5 kg:
50 kg with 2000 mm arm
35 kg with 3000 mm arm

- Telescopic adjustable column for lifting heights between 1780 mm and 2760 mm (in increments of 100 mm)
- Total height min. 2120, max 3100 mm
- Slewing arm with elbow joint. All slewing joints on ball bearings
- Built on a circular foundation with an adapter enabling the unit to be picked up and moved with a manual standard truck or similar
- Compressed air connection for 600 NI/min
- Compressed air filter and regulator available as option
- Continuously adjustable speed for hoisting/lowering with optional "Wig-Wag piezo switch speed control"
- Weight app. 330 kg (excl. gripping tool)
- Sound level 64 dB (A)/ 62 dB (B)

Features

- The product is intended for indoor use
- No installation required
- For use with mechanical gripping tools or high capacity vacuum gripping tools.
- Vacuum is generated by a pneumatic vacuum pump (vacuum ejector) with high flow capacity
- The lifting action is generated by an electric motor 240 VAC
- A compressed air connection is needed to power the vacuum pump (6bar, 450 or 600 NI/min)
- Quiet operation
- Lifting and lowering speed are adjustable
- Also lifts goods/packages with porous surfaces
- Extensive safety functions are integrated
- Gripping tools can be modified for customer specific handling applications



All dimensions in (mm)

